

- CV**  
Check Valves
- SH**  
Shuttle Valves
- LM**  
Load/Motor Controls
- FC**  
Flow Controls
- PC**  
Pressure Controls
- LE**  
Logic Elements
- DC**  
Directional Controls
- MV**  
Manual Valves
- SV**  
Solenoid Valves
- PV**  
Proportional Valves
- CE**  
Coils & Electronics
- CB**  
Cartridge Bodies
- BC**  
Bodies & Cavities
- TD**  
Technical Data

**General Description**

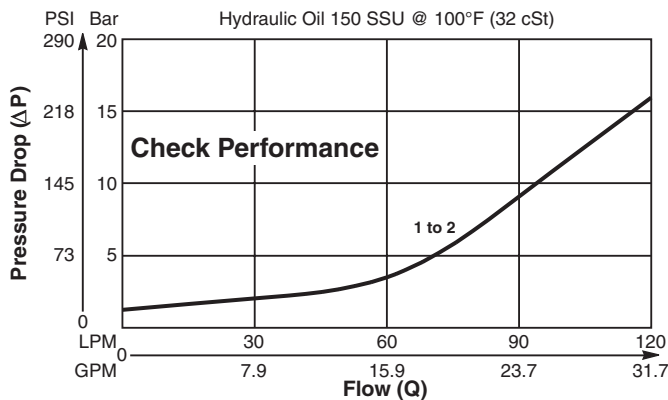
Poppet Type Check Valve with Relief Feature. For additional information see Technical Tips on pages CV1-CV2.

**Features**

- Poppet type for minimal leakage - less than 3 drops/min.
- Relief feature to give thermal and shock relief protection
- Compact space saving design
- Hardened working parts for maximum durability
- Single and dual pilot pistons available to create pilot to open check
- Good contamination tolerance
- All external parts zinc plated

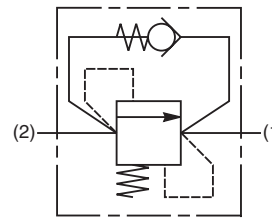
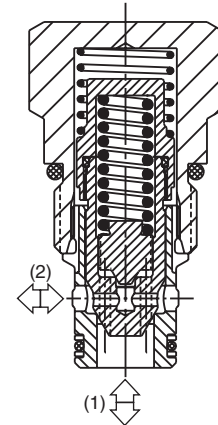
**Performance Curve**

**Pressure Drop vs. Flow** (Through cartridge only)

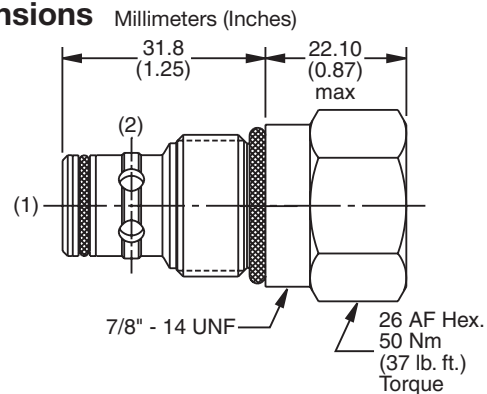


**Specifications**

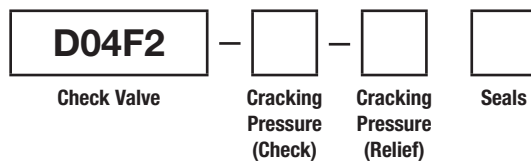
Rated Flow	130 LPM (40 GPM)
Nominal Flow @ 7 Bar (100 PSI)	72 LPM (19 GPM)
Maximum Inlet Pressure	420 Bar (6000 PSI)
Leakage at 150 SSU (32 cSt)	Less than 3 drops/min.
Cartridge Material	Steel operating parts, hardened steel poppet.
Operating Temp. Range/Seals	-34°C to +121°C (Nitrile, Buna-N) (-30°F to +250°F) -26°C to +204°C (Fluorocarbon) (-15°F to +400°F)
Fluid Compatibility/Viscosity	Mineral-based or synthetic with lubricating properties at viscosities of 45 to 2000 SSU (6 to 420 cSt)
Filtration	ISO-4406 18/16/13, SAE Class 4
Approx. Weight	0.13 kg (0.29 lbs.)
Cavity	C10-2 (See BC Section for more details)



**Dimensions**



**Ordering Information**



**Highlighted** represents preferred options that offer the shortest lead times. Other options may be available, but at extended lead times.

Code	Cracking (Check)
2.5	2.5 Bar (36 PSI)
7.0	7.0 Bar (102 PSI)

Code	Seals / Kit No.
N	Nitrile Buna-N / (SK30503N-1)

Fluorocarbon seal kits are available separately to convert external seals. If required, please order: **(SK30503V-1)**

Code	Cracking (Relief)
35	35 Bar (507 PSI)
90	90 Bar (1305 PSI)
245	245 Bar (3553 PSI)
276	276 Bar (4000 PSI)

*Order Bodies Separately  
 See section BC*



Code	Porting / Body Material
6T	SAE-6 / Steel (5000 PSI)
A6T	SAE-6 / Aluminium (3000 PSI)

